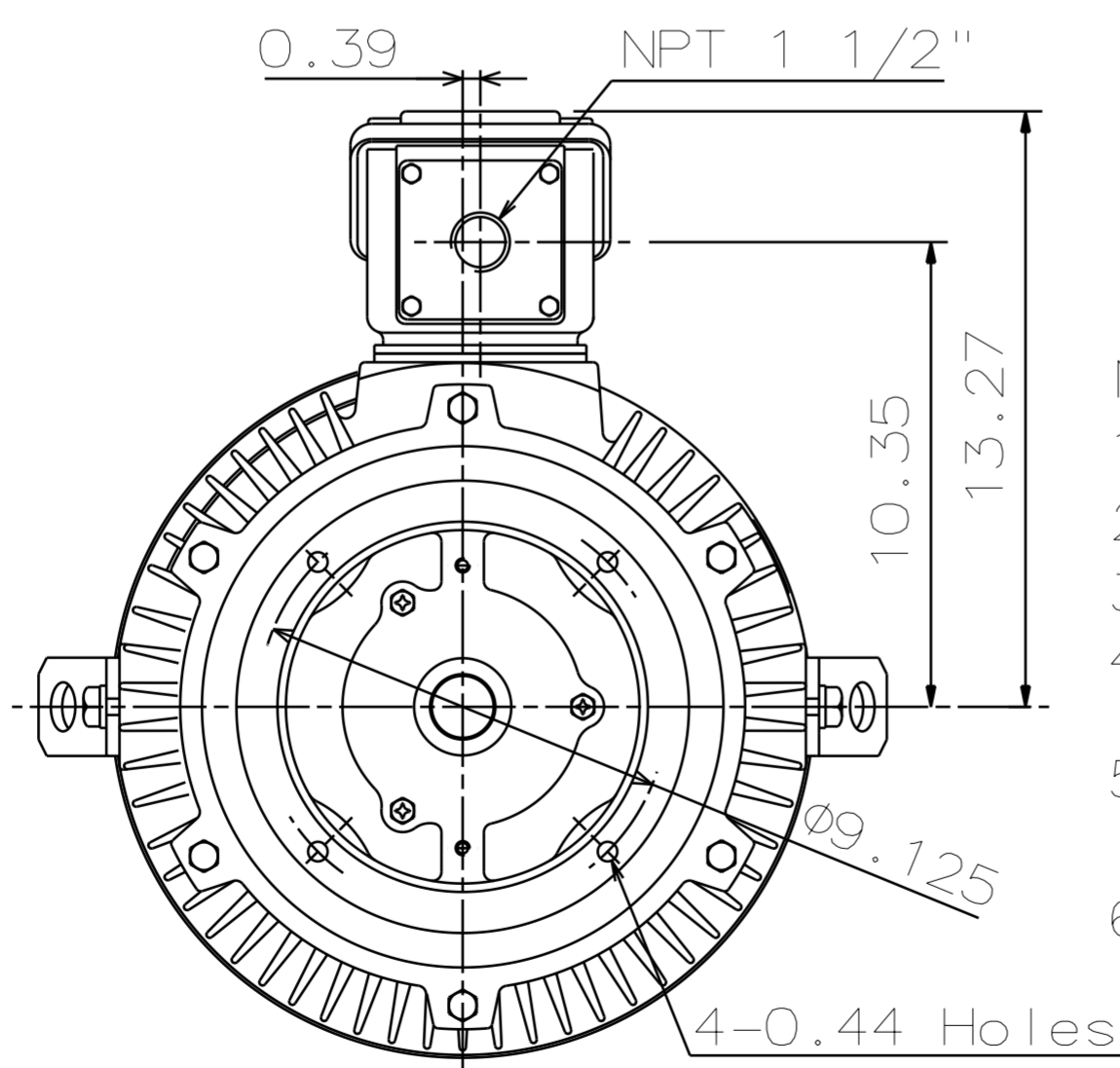
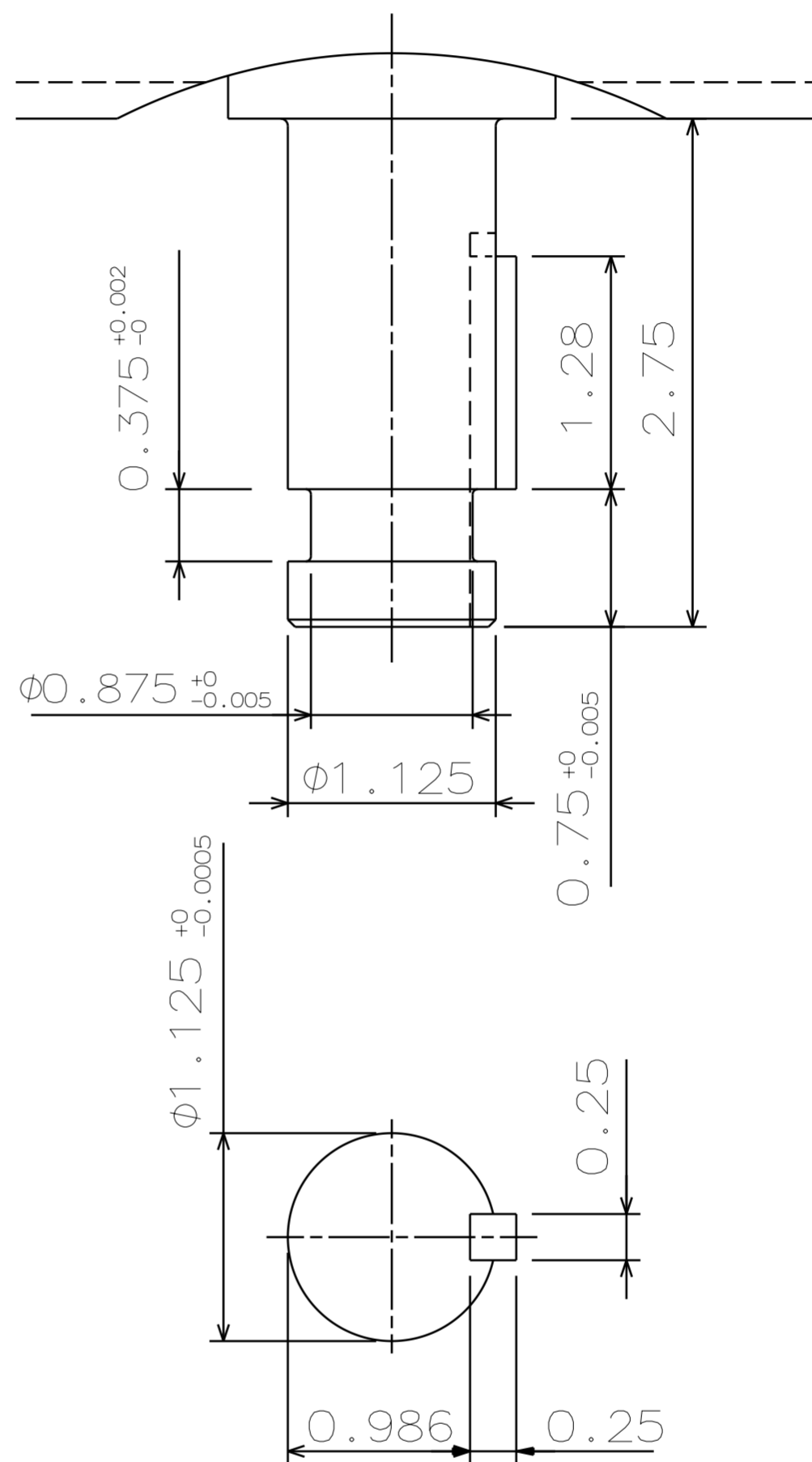
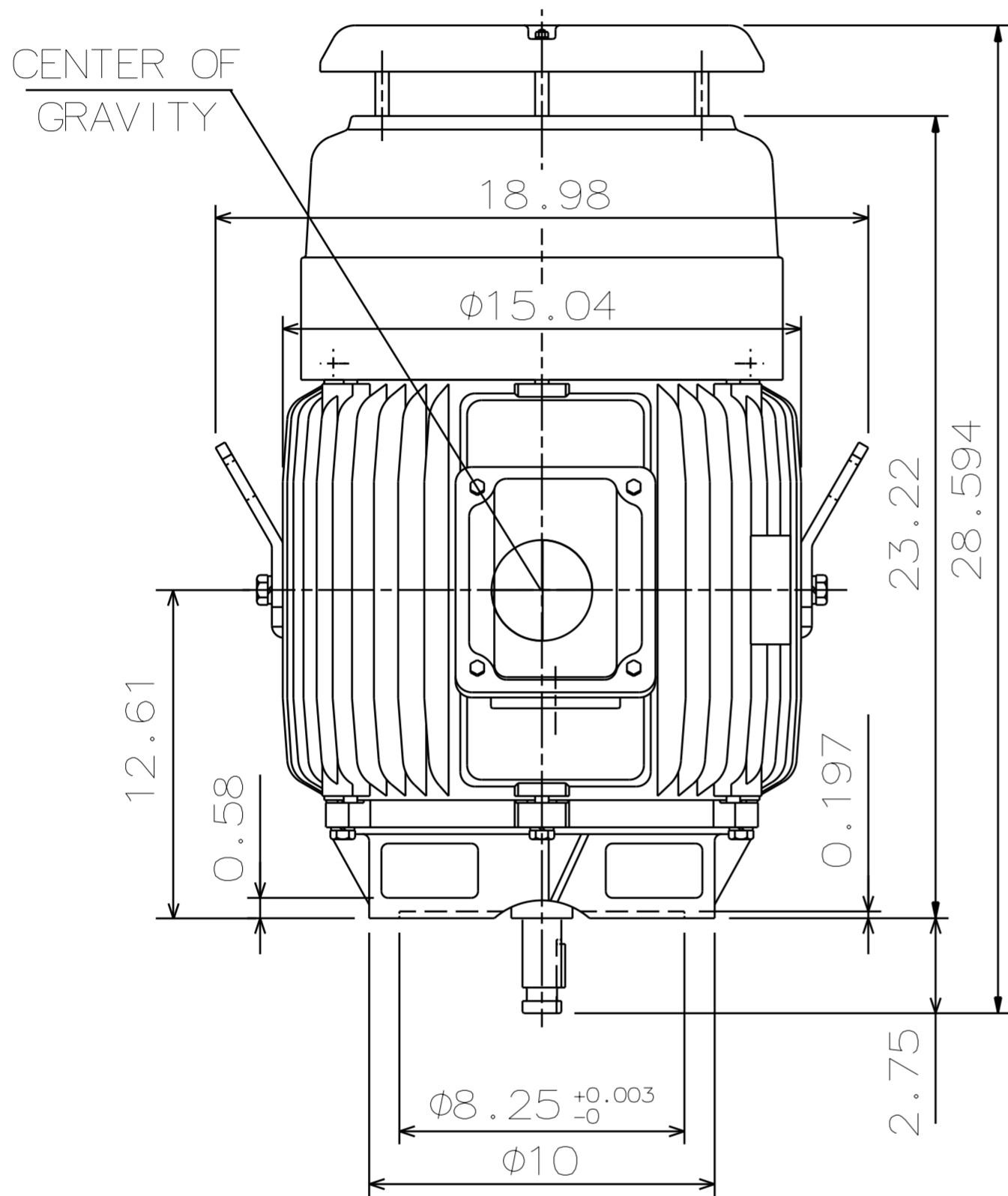


CATALOG NUMBER: VSTP0254	OUTLINE DIMENSIONS 3-PHASE INDUCTION MOTOR	MOTOR TYPE: AEEHED
DATE SEP-29-2017		FRAME NO. 284VP

Pole	HP	kW	Hz	VOLT	Syn. Speed r/min (rpm)
4	25	18.5	60	230/460	1800

Ins	Rating	Dimension in	Approx Weight	Bearings
F	CONT.	inches	520 LBS	DE: 6311ZZC3 NDE: 7312B

Totally Enclosed Fan-Cooled Vertical Type Squirrel-cage Rotor.



NOTE:

1. CLASS F INSULATION, S.F.: 1.15
2. FOR DIRECT COUPLING.
3. ROTATION: CCW [VIEW FROM TOP].
4. WITH NON-REVERSE RATCHET MECHANISM.
5. DOWNTHRUST: 3350 LBS (L10-8800HRS)
6. SPACE HEATER RATED AT 120 VOLT, SINGLE PHASE, 109 WATTS, LEADS TERMINATE IN MAIN LEAD BOX.

□			
---	--	--	--

DWN. K.L.KUO 09.30.08	TECO Westinghouse	DWG NO.
CHKD. K.L.KUO 10.06.08		31057D368310
APPD. M.C.TSAI 10.06.08		